

Reliable®

Model GRTG1 Grooved Reducing Tee

cULus Listed, FM Approved
300 psi (20.7 bar)

GRTG1 Grooved Reducing Tee Technical Data

Operating Specifications

Maximum Working Pressure:
300 psi (20.7 bar)

Material Specifications

Body: ASTM A536 Grade 65-45-12 Ductile Iron

Design Specification

Groove: AWWA-C606

Available Finishes

Housing:

Standard orange paint
Hot dipped galvanized (ASTM A-153)

Listings and Approvals

cULus Listed
FM Approved



GRTG1 Grooved Reducing Tee Dimensions

Figure 1

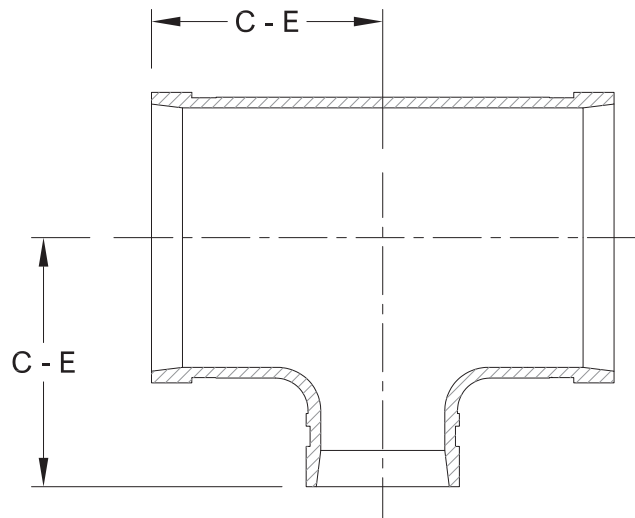


Table A

Nominal Size in (mm)	Pipe O.D. in/mm	Dimensions	Weight lb (kg)	Run Friction Loss Eq Feet of Pipe ft (m)	Branch Friction Loss Eq Feet of Pipe ft (m)
		C - E in (mm)			
4 x 2 (100 x 50)	4.500 x 2.375 (114.3 x 60.3)	4 (102)	5.0 (2.30)	6.9 (2.1)	8.5 (2.6)
4 x 2-1/2 (100 x 65)	4.500 x 2.875 (114.3 x 73.0)	4 (102)	6.04 (2.74)	6.9 (2.1)	10.8 (3.3)
4 x 3 (100 x 80)	4.500 x 3.500 (114.3 x 88.9)	4 (102)	5.73 (2.60)	6.9 (2.1)	13.1 (4)
6 x 2 (150 x 50)	6.625 x 2.375 (168.3 x 60.3)	5-1/8 (130)	12.68 (5.75)	9.8 (3)	8.5 (2.6)
6 x 2-1/2 (150 x 65)	6.625 x 2.875 (168.3 x 73.0)	5-1/2 (140)	13.67 (6.20)	9.8 (3)	10.8 (3.3)
6 x 3 (150 x 80)	6.625 x 3.500 (168.3 x 88.9)	5-1/2 (140)	14.22 (6.45)	9.8 (3)	13.1 (4)
6 x 4 (150 x 100)	6.625 x 4.500 (168.3 x 114.3)	5-1/2 (140)	13.56 (6.15)	9.8 (3)	16.1 (4.9)
8 x 4 (200 x 100)	8.625 x 4.500 (219.1 x 114.3)	6-7/8 (174)	21.17 (9.60)	13.1 (4)	16.1 (4.9)
8 x 6 (200 x 150)	8.625 x 6.625 (219.1 x 168.3)	6-7/8 (174)	25.47 (11.55)	13.1 (4)	24.9 (7.6)

P/N 9999970648