



**Model GXFA3 Flange Adaptor
PN10 / PN16**

cULus Listed, FM Approved

GXFA3 Flange Adaptor Technical Data

<p>Operating Specifications Maximum Working Pressure: 300 psi (20.7 bar)</p> <p>Material Specifications Body: ASTM A536 Grade 65-45-12 Ductile Iron</p> <p>Design Specifications Groove: AWWA-C606 Flange: EN1092-2 PN10 [2"-6" (50-150 mm)] EN1092-2 PN16 (All sizes)</p>	<p>Available Finishes Housing: Red powder-coating Hot dipped galvanized (ASTM A-153)</p> <p>Listings and Approvals cULus Listed FM Approved</p>
---	---



GXFA3 Flange Adaptor Dimensions

Figure 1

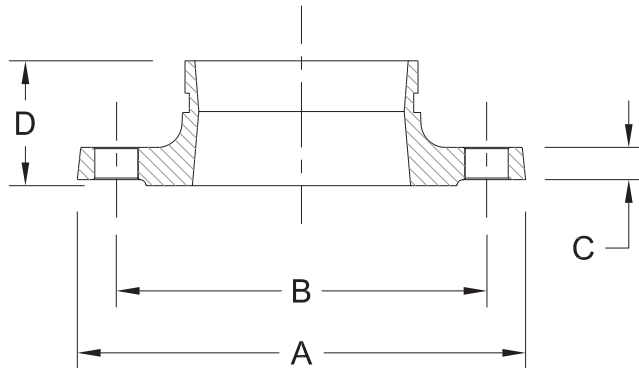


Table A

Nominal Size in (mm)	Pipe O.D. in (mm)	Bolts Size in	Number of Bolts	Dimensions				Weight lb (kg)
				A in (mm)	B in (mm)	C in (mm)	D in (mm)	
2 (50)	2.375 (60.3)	M16	4	6-1/2 (165)	4-15/16 (125)	9/16 (15)	2-3/8 (60)	3.08 (1.4)
2-1/2 (65)	2.875 (73.0)	M16	4	6-1/2 (165)	5-11/16 (145)	9/16 (15)	2-3/8 (60)	3.63 (1.65)
76 mm	3.000 (76.1)	M16	4	6-1/2 (165)	5-11/16 (145)	9/16 (15)	2-3/8 (60)	3.63 (1.65)
3 (80)	3.500 (88.9)	M16	4	7-7/8 (200)	6-5/16 (160)	5/8 (16)	2-3/8 (60)	4.34 (1.98)
4 (100)	4.500 (114.3)	M16	8	8-5/8 (220)	7-1/16 (180)	5/8 (16)	2-3/8 (60)	5.5 (2.5)
139 mm	5.500 (139.7)	M16	8	9-7/8 (250)	8-1/4 (210)	11/16 (18)	2-9/16 (65)	7.37 (3.35)
165 mm	6.500 (165.1)	M20	8	11-1/4 (285)	9-7/16 (240)	11/16 (18)	2-9/16 (65)	9.9 (4.5)
6 (150)	6.625 (168.3)	M20	8	11-1/4 (285)	9-7/16 (240)	11/16 (18)	2-9/16 (65)	9.9 (4.5)
8 (200)	8.625 (219.1)	M20	12	13-3/8 (340)	11-5/8 (295)	3/4 (19)	2-3/4 (70)	12.98 (5.9)
10 (250)	10.750 (273)	M24	12	15-15/16 (405)	14 (355)	1 (25)	3-5/16 (85)	26.4 (12)
12 (300)	12.750 (323.9)	M24	12	15-15/16 (405)	16-1/8 (410)	1-1/16 (27)	3-5/16 (85)	29.7 (13.5)