

Reliable®

Model REL-AGV Angle Globe Valve

300 psi (20.7 bar)

Product Description

Reliable Model REL-AGV angle globe valves are intended for installation as trim or drain valves for fire protection equipment. The valves have a rated working pressure of 300 psi (20.7 bar) and feature a brass valve body with FNPT end connections.

Installation

The Reliable angle globe valves shall be installed in accordance with NFPA 13, "Standard for the Installation of Sprinkler Systems," as well as the requirements of any authorities having jurisdiction. Verify compatibility of the valve materials with the water supply and the environment where the valve will be installed prior to installation.

WARNING: Model REL-AGV angle globe valves contain lead and are not for use in systems carrying water intended for human consumption.

Maintenance

The owner is responsible for maintaining the fire protection system in proper operating condition. Any system maintenance or testing that involves placing a control valve out of service will eliminate the fire protection that is provided by the fire protection system.

The Reliable angle globe valve shall periodically be given a thorough inspection and test. NFPA 25, "Inspection, Testing and Maintenance of Water Based Fire Protection Systems," provides minimum maintenance requirements. Inspect the valve for corrosion, damage, and wear as required and replace as necessary. Increase the frequency of inspections when the valve is exposed to corrosive conditions or chemicals that could impact the valve materials.



Model REL-AGV Angle Globe Valve

Guarantee

For Reliable Automatic Sprinkler Co., Inc. guarantee, terms, and conditions, visit www.reliablesprinkler.com.

Ordering Information

Specify the following when ordering:

Reliable Model REL-AGV Angle Globe Valve Valve Size

- 1/2" (15 mm)
- 3/4" (20 mm)
- 1" (25 mm)
- 1-1/4" (32 mm)
- 1-1/2" (40 mm)
- 2" (50 mm)

Model REL-AGV Globe Valves

Technical Specifications

Pressure Rating:

200 psi (13.8 bar)

Material Specifications

Body: C37700 Brass Alloy

Bonnet: C37700 Brass Alloy

Seat: C37700 Brass Alloy

Stem: C37700 Brass Alloy

Stem Packing: PTFE

Seat Seal: EPDM Rubber

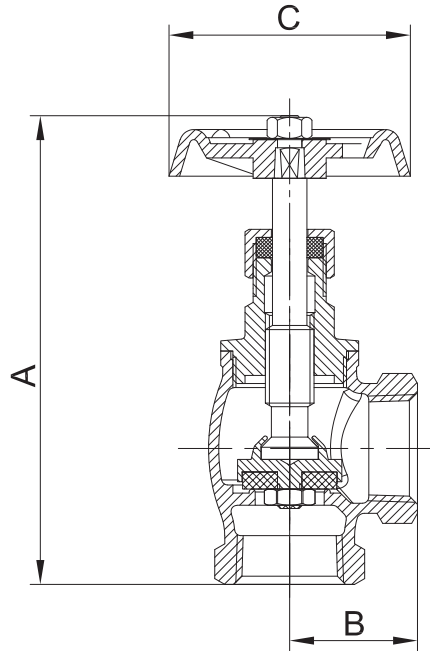
End Connections

Female NPT



Model REL-AGV Angle Globe Valve Dimensions

Figure 1



Dimensions in. (mm)

Table A

Valve Size	A	B	C
1/2 (15)	3-5/16 (84)	1-1/16 (27)	2-3/8 (60)
3/4 (19)	4-9/16 (116)	1-1/4 (32)	2-3/8 (60)
1 (25)	5-1/8 (131)	1-9/16 (40)	2-9/16 (65)
1-1/4 (32)	5-5/8 (142)	1-3/4 (46)	2-9/16 (65)
1-1/2 (40)	6-1/2 (165)	2 (50)	3-1/8 (80)
2 (50)	7-15/16 (202)	2-7/16 (61)	3-15/16 (100)