



## Model REL-OSYT Threaded OS&Y Valve

175 psi (12 bar)  
cULus Listed, FM Approved

### Product Description

Reliable Model REL-OSYT threaded OS&Y valves are cULus Listed and FM Approved as trim and drain valves for fire protection systems. The valves have a rated working pressure of 175 psi (12 bar) and feature a brass valve body with FNPT end connections.

### Installation

The Reliable threaded OS&Y Valves shall be installed in accordance with NFPA 13, "Standard for the Installation of Sprinkler Systems," as well as the requirements of any authorities having jurisdiction. Verify compatibility of the valve materials with the water supply and the environment where the valve will be installed prior to installation.

**WARNING:** Model REL-OSYT valves contain lead and are not for use in systems carrying water intended for human consumption.

### Maintenance

The owner is responsible for maintaining the fire protection system in proper operating condition. Any system maintenance or testing that involves placing a control valve out of service will eliminate the fire protection that is provided by the fire protection system.

The Reliable threaded OS&Y Valve shall periodically be given a thorough inspection and test. NFPA 25, "Inspection, Testing and Maintenance of Water Based Fire Protection Systems," provides minimum maintenance requirements. Inspect the valve for corrosion, damage, and wear as required and replace as necessary. Increase the frequency of inspections when the valve is exposed to corrosive conditions or chemicals that could impact the valve materials.



Model REL-OSYT Threaded OS&Y Valve

### Guarantee

For Reliable Automatic Sprinkler Co., Inc. guarantee, terms, and conditions, visit [www.reliablesprinkler.com](http://www.reliablesprinkler.com).

### Ordering Information

Specify the following when ordering:

#### Reliable Model REL-OSYT threaded OS&Y valve Valve Size

- 3/4" (20 mm)
- 1" (25 mm)
- 1-1/4" (32 mm)
- 1-1/2" (40 mm)
- 2" (50 mm)

## Model REL-OSYT Threaded OS&Y Valves

### Technical Specifications

#### Pressure Rating:

175 psi (12 bar)

### Material Specifications

**Body:** C83600 Brass Alloy

**Bonnet:** C83600 Brass Alloy

**Stem:** C37700 Brass Alloy

**Gate/Stem Pin:** 304 Stainless Steel Alloy

**Gate:** C83500 Bronze Alloy

**Stem Packing:** Graphite

**Handwheel:** Cast Iron

### End Connections

Female NPT

### Listings and Approvals

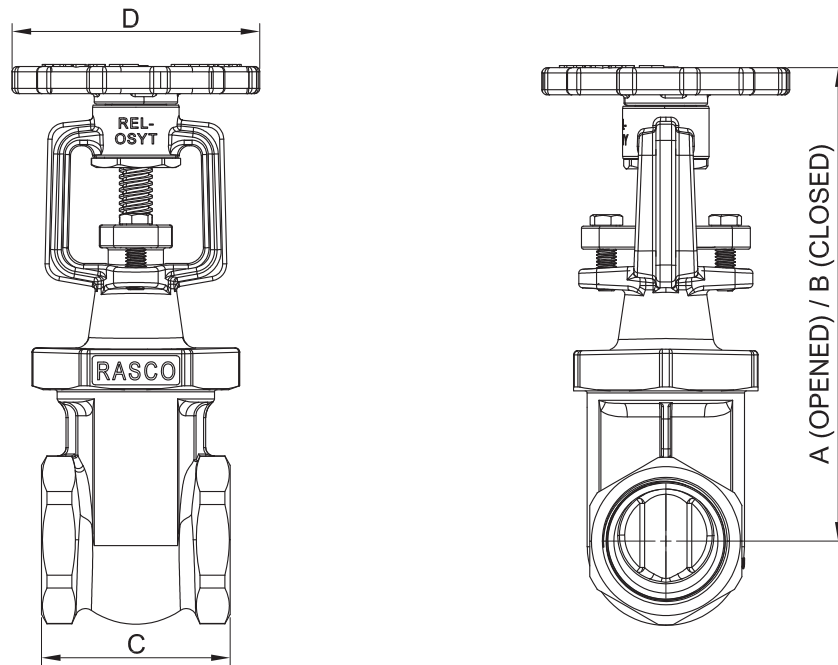
cULus Listed

FM Approved



## Model REL-OSYT Threaded OS & Y Valve Dimensions

Figure 1



### Dimensions in. (mm)

Table A

| Valve Size    | A             | B             | C            | D             |
|---------------|---------------|---------------|--------------|---------------|
| 3/4 (19 mm)   | 6-13/16 (173) | 5-3/4 (146)   | 2-5/16 (59)  | 3-1/8 (80)    |
| 1 (25 mm)     | 7-3/4 (197)   | 6-7/16 (163)  | 2-3/4 (69)   | 3-1/8 (80)    |
| 1-1/4 (32 mm) | 8-7/8 (221)   | 7-1/8 (182)   | 2-15/16 (75) | 3-1/8 (80)    |
| 1-1/2 (40 mm) | 9-9/16 (243)  | 7-3/4 (197)   | 3-1/4 (82)   | 3-15/16 (100) |
| 2 (50 mm)     | 11-1/8 (282)  | 8-15/16 (227) | 3-9/16 (91)  | 4-3/4 (120)   |